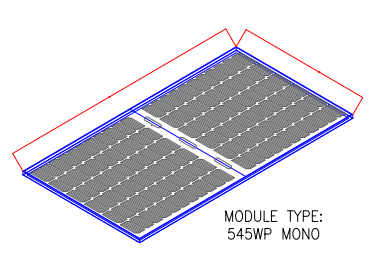


300KW PLANT

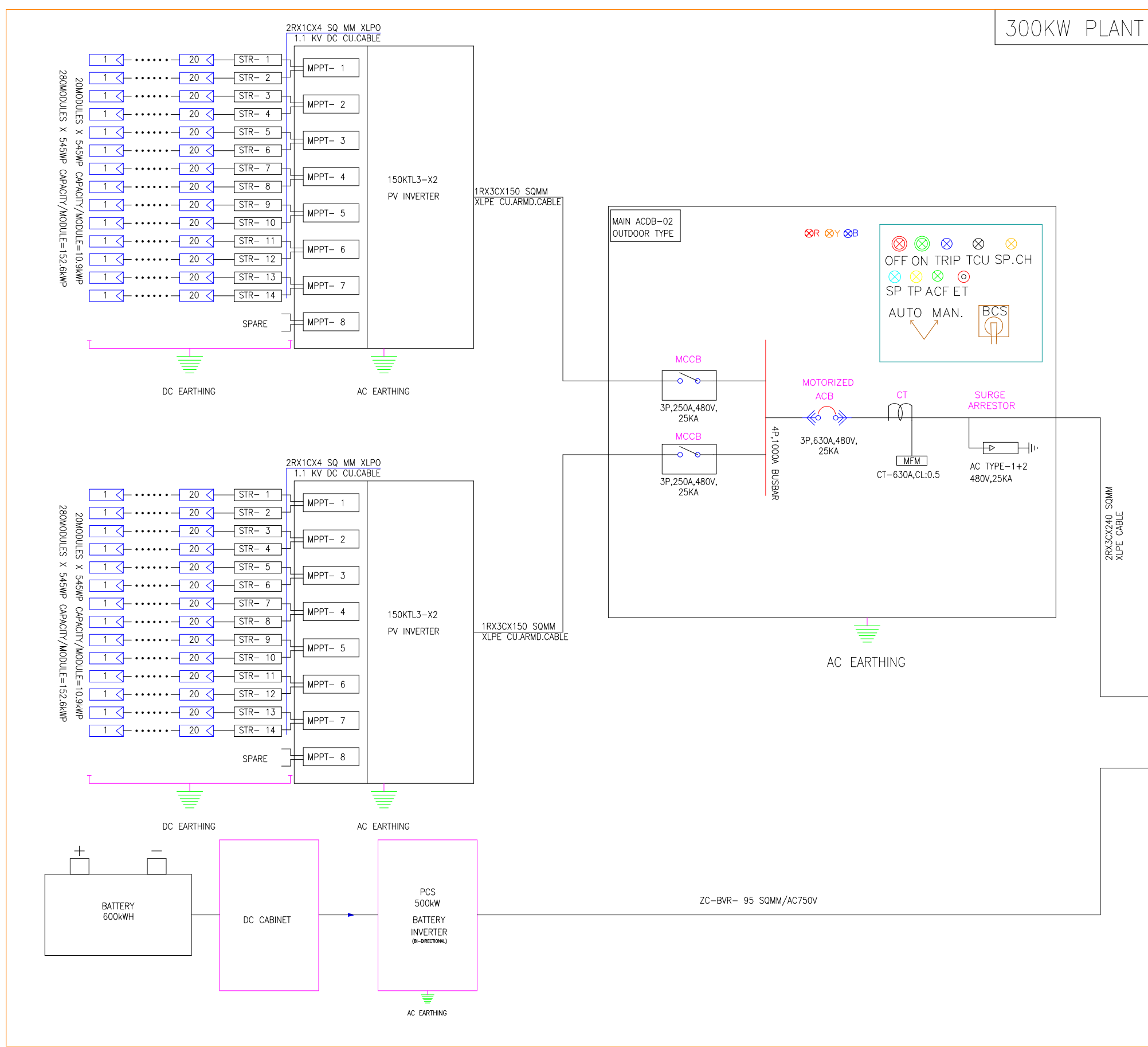
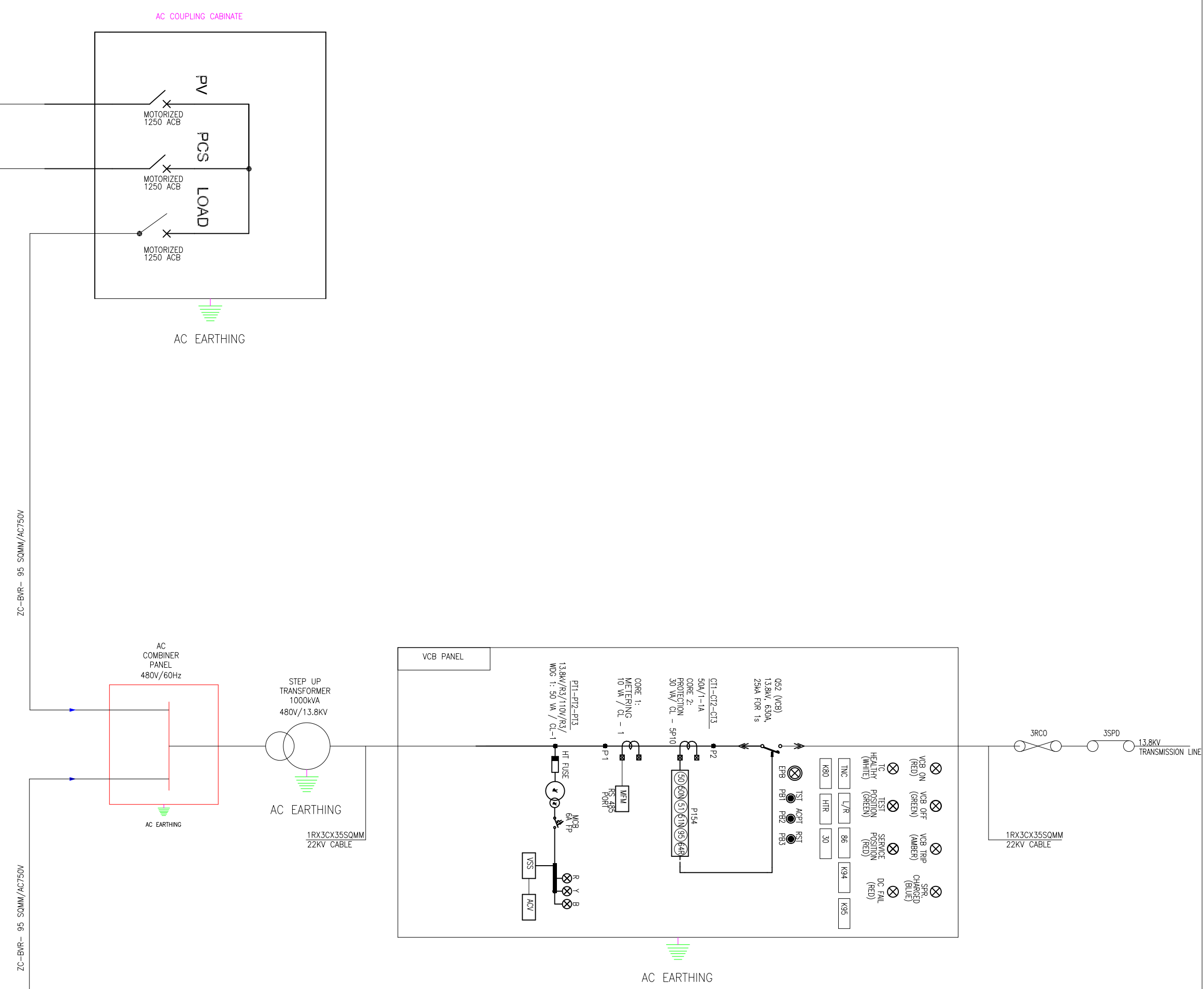
LEGEND:-

SYMBOL	DESCRIPTION
	AIR CIRCUIT BREAKER DRAW-OUT TYPE
	FUSE
	MINIATURE CIRCUIT BREAKER (MCB)
	PV MODULE
	MULTIFUNCTION METER
	PHASE INDICATING LAMPS
	CONTROL PANEL: ILLUMINATED PUSH BUTTON TRIP CIRCUIT HEALTHY, TRIP & SPRING CHARGED INDICATION LAMP FOR BREAKER
	AUTO MANUAL SELECTOR SWITCH
	BREAKER CONTROL SWITCH
	SURGE PROTECTION DEVICE
	AC & DC EARTHING
	INVERTER

SYSTEM DETAILS		
DESCRIPTIONS	NUMBER	UNIT
DC CAPACITY	610.4	MWP
AC CAPACITY	600	KW
NO. OF STRING	56	NOS
MODULES/STRING	20 MAX	NOS
NO. OF MODULES	1120	NOS
NO. OF PV INVERTERS	4	NOS
NO. OF BIDIRECTIONAL INVERTERS	6	NOS
TRANSFORMER	1	NOS
NO. OF ACB	4	NOS



NOTE:  
1. ALL DIMENSIONS ARE IN MM.  
2. MAXIMUM NO. OF MODULE PER STRING IS 20 NOS.  
3. DC CAPACITY OF 1 STRING IS 10.9 KWp.



300KW PLANT

R2	FOR APPROVAL	30.08.2024	SIGNATURE	
REV NO	REVISION NOTE	DATE	CHECKED	
DRAWING TITLE: SINGLE LINE DIAGRAM				
DRAWING NO: GPL/DIGFLUC/ESLD_01	SCALE: NTS	SHEET SIZE: A0	GUYANA ENERGY AGENCY & GPL INC LEGUAN REGION, GUYANA	
PROJECT NAME:		PROJECT NUMBER:		
DRAWN: SK	DATE: 10.02.2024	SHEET: 1 OF 1	DIGIFLUC CONTROLS (INDIA) PVT. LTD. No. 284, 3rd Block, W-3 Industrial Complex, 10th Cross, 4th Stage, Bengaluru Industrial Area, Bengaluru-560 008, India	
CHECKED: PM	DATE: 10.02.2024	REV NO		
APPROVED: PM	DATE: 10.02.2024	REV NO		